



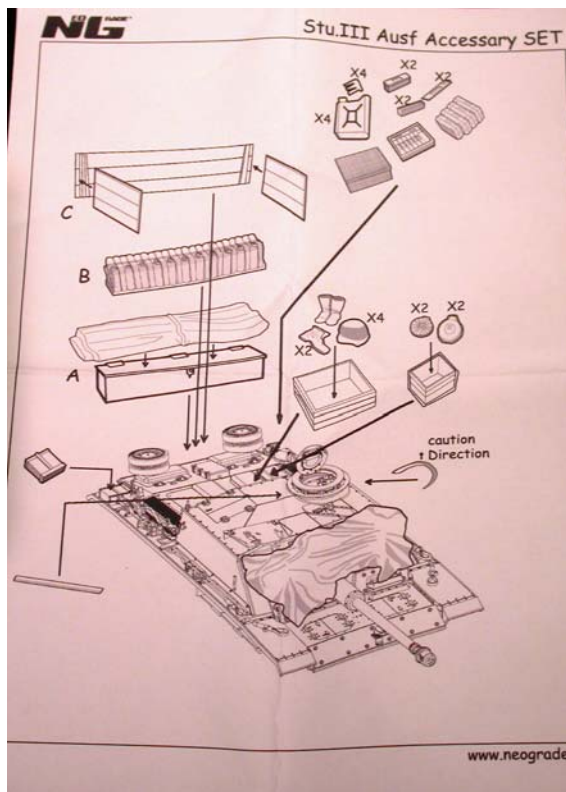
*In-Box Review*

**NeoGrade Stu. III Ausf. Accessory Set, 1/35th scale, \$24.99, available in the U.S. at Sprue Brothers ([www.spruebrothers.com](http://www.spruebrothers.com)).**

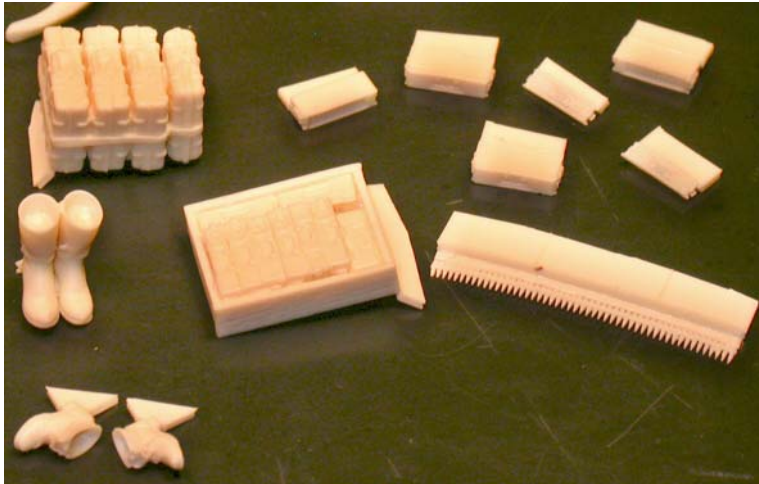
The cryptic name of this kit might scare some away, but the small box is packed with parts to dress up a Sturmgeschutz III, Panzer III or just about any German World War II vehicle or diorama.

**The Kit**

NeoGrade, a South Korean company that seems to do a lot of those sci-fi combat robot kits, has expanded their line to armor conversion and accessory sets.



The set is molded in a cream-colored resin with no noticeable bubbles or warpage. The resin smell was rather strong when the bags were opened, but did not linger. The casting gates were clean and not very large, especially considering the size of some of the pieces. Simple instructions show how some of the parts are to be placed on the vehicle.



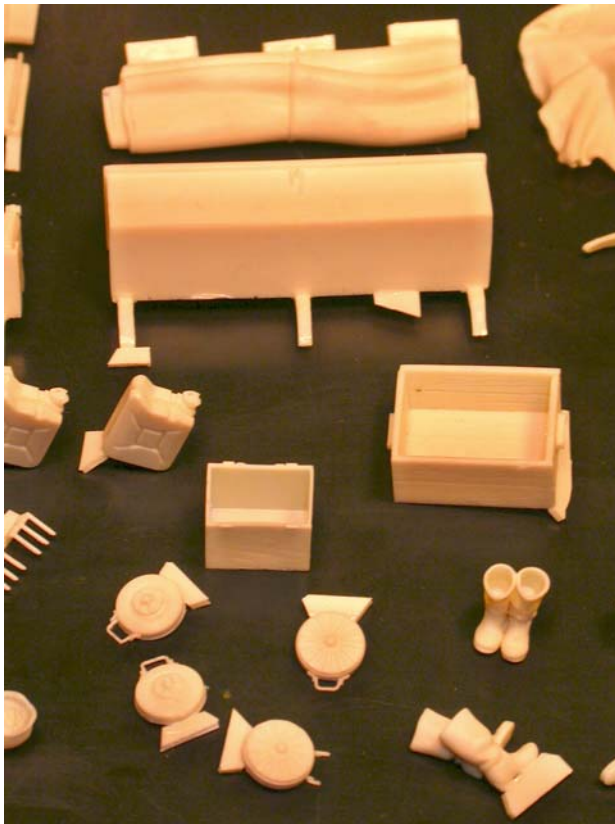
The kit includes 55 parts. Only two parts are limited to the Stug. III. The first is a tarp that drapes over the mantlet of a Stug. III Ausf. G. The other is a crescent-shaped piece of add-on armor for the side of the cupola.

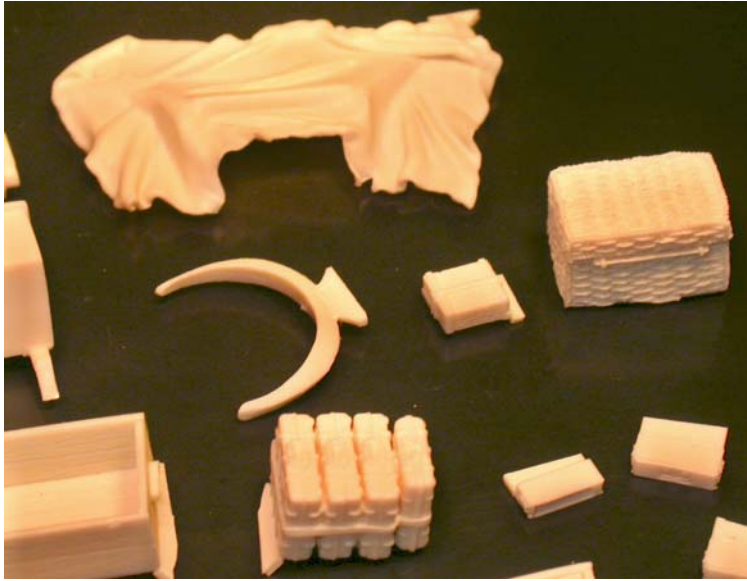
There are three choices for adorning the rear end of the Stug. first is a long metal box, to which a form-fitting rolled tarp can be added. The second is a rack of 11 jerry cans. The third is a three-sided wood rack, which can be loaded with stowage. Any of these three options would also work on many Panzer IIIs. You already have parts for three vehicles. There is also a jack block with woodgrain.

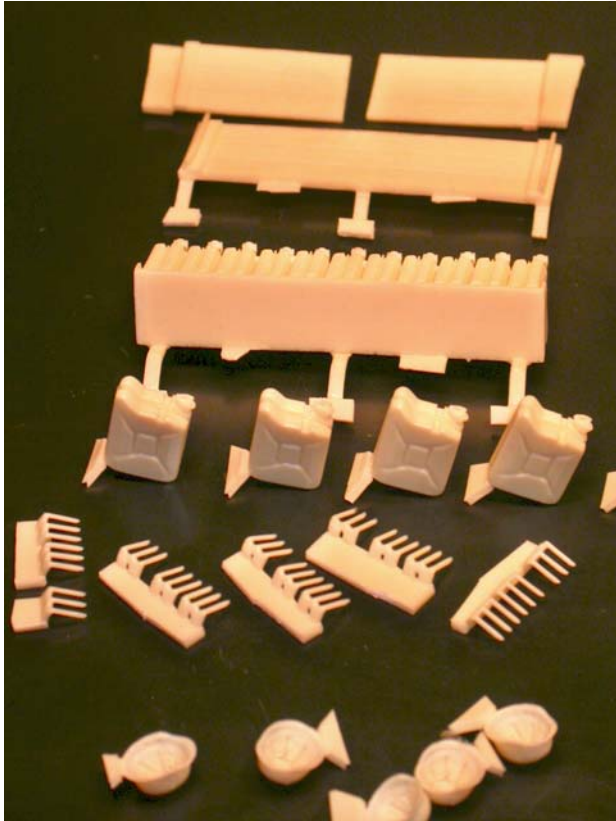
All of the jerry cans in the rack have separate handles. According to the instructions, there are also four loose jerry cans with separate handles, but my review kit came with five cans, so it is short one handle.

Four hand grenade cases are molded as a single part, and there is a separate box to put them in. Another box holds six 7.62mm ammo boxes and three other ammo boxes I cannot quickly identify. The set also comes with two separate closed 7.62mm ammo boxes, two more open boxes with separate lids, and a belt of 7.62mm ammo.

There are two each of two types of teller mines and a box big enough to hold all four mines. Some other neat stuff to dress up a vehicle or diorama include five German helmets with liners, 3 pairs of jackboots, molded as pairs, and a pair of ankle boots molded separately. There is also a large square basket of the type the Germans often used to stow bread and other edibles.







### **Conclusion**

It's a little kit packed with lots of German accessory stuff, not at all limited to a Stug. or Panzer III. You could buy much of this stuff separate, but I doubt you could beat the price for what comes in the box. Highly recommended.